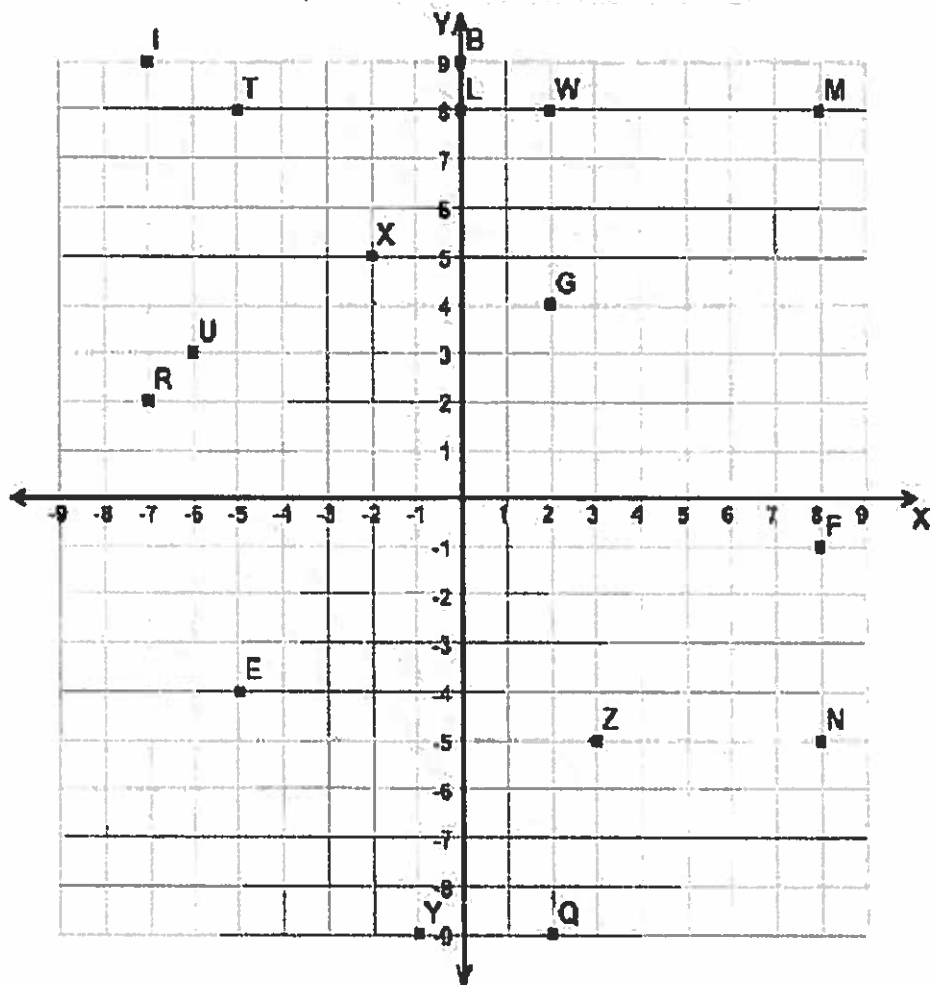


### Four Quadrant Ordered Pairs



Tell what point is located at each ordered pair.

- |                    |                    |                    |                    |
|--------------------|--------------------|--------------------|--------------------|
| 1) $(+2,+8)$ _____ | 3) $(-5,+8)$ _____ | 5) $(+8,-1)$ _____ | 7) $(-7,+8)$ _____ |
| 2) $(+2,-9)$ _____ | 4) $(-2,+5)$ _____ | 6) $(+2,+4)$ _____ | 8) $(+3,-5)$ _____ |

Write the ordered pair for each given point.

- |             |             |             |             |
|-------------|-------------|-------------|-------------|
| 9) B _____  | 11) R _____ | 13) Y _____ | 15) N _____ |
| 10) U _____ | 12) E _____ | 14) M _____ | 16) L _____ |

Plot the following points on the coordinate grid.

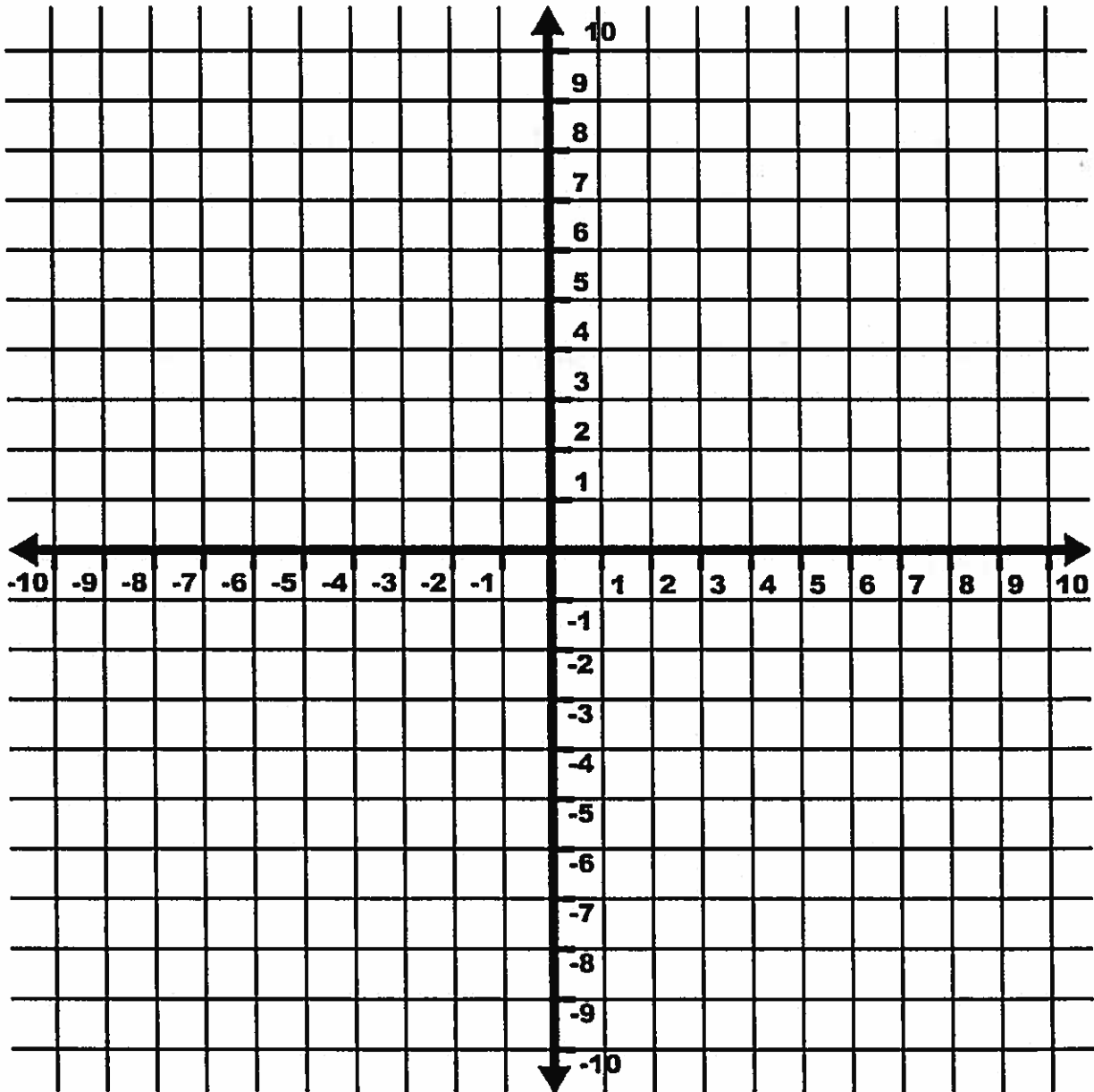
- |                 |                 |                 |                 |
|-----------------|-----------------|-----------------|-----------------|
| 17) O $(+2,-7)$ | 19) K $(-3,+4)$ | 21) S $(-8,-4)$ | 23) H $(+6,+9)$ |
| 18) A $(+5,+2)$ | 20) D $(+2,+3)$ | 22) P $(-4,-1)$ | 24) J $(-7,-7)$ |

# Math Coordinates

name: \_\_\_\_\_

Plot the points in the order given and join them with line segments.

















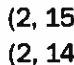
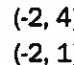


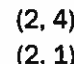


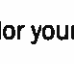


(1,-3), (5,-4), (4,-3), (9,1), (7,2), (8,5), (5,4), (5,5), (3,4), (4,9), (2,7), (0,10), (-2,7),  
(-4,8), (-3,3), (-5,6), (-5,4), (-8,5), (-7,2), (-9,1), (-4,-3), (-5,-4), (0,-3), (2,-7),  
(2,-6), (1,-3)



Name: \_\_\_\_\_

# A. I.

NOTE: In each section, do NOT connect the last point back to first point.

(X, Y)	(X, Y)	(X, Y)	(X, Y)	(X, Y)
<input type="checkbox"/> (1, -20)	<input type="checkbox"/> (2, -5)	<input type="checkbox"/> (3, 19)	<input type="checkbox"/> (-6, 6)	<input type="checkbox"/> (-6, 1)
<input type="checkbox"/> (1, -19)	<input type="checkbox"/> (5, -2)	<input type="checkbox"/> (-3, 19)	<input type="checkbox"/> (-7, 7)	<input type="checkbox"/> (-6, -1)
<input type="checkbox"/> (3, -18)	<input type="checkbox"/> (6, -2)	<input type="checkbox"/> (-4, 18)	<input type="checkbox"/> (-9, 7)	<input type="checkbox"/> (-7, -1)
<input type="checkbox"/> (5, -18)	<input type="checkbox"/> (6, -8)	<input type="checkbox"/> (-4, 14)	<input type="checkbox"/> (-10, 6)	<input type="checkbox"/> (-7, 0)
<input type="checkbox"/> (7, -19)	<input type="checkbox"/> (5, -9)	<input type="checkbox"/> (-3, 13)	<input type="checkbox"/> (-10, 5)	<input type="checkbox"/> (-8, 1)
<input type="checkbox"/> (7, -20)	<input type="checkbox"/> (3, -9)	<input type="checkbox"/> (3, 13)	<input type="checkbox"/> (-9, 4)	<input type="checkbox"/> (-9, 0)
<input type="checkbox"/> (1, -20)	<input type="checkbox"/> (2, -8)	<input type="checkbox"/> (4, 14)	<input type="checkbox"/> (-7, 4)	<input type="checkbox"/> (-9, -2)
	<input type="checkbox"/> (2, -5)	<input type="checkbox"/> (4, 18)	<input type="checkbox"/> (-6, 5)	<input type="checkbox"/> (-10, -2)
		<input type="checkbox"/> (3, 19)	<input type="checkbox"/> (-6, 6)	<input type="checkbox"/> (-10, 1)
				<input type="checkbox"/> (-9, 2)
<input type="checkbox"/> (-1, -20)	<input type="checkbox"/> (-2, -5)	<input type="checkbox"/> (-6, 11)	<input type="checkbox"/> (6, 6)	<input type="checkbox"/> (-7, 2)
<input type="checkbox"/> (-1, -19)	<input type="checkbox"/> (-5, -2)	<input type="checkbox"/> (-7, 12)	<input type="checkbox"/> (7, 7)	<input type="checkbox"/> (-6, 1)
<input type="checkbox"/> (-3, -18)	<input type="checkbox"/> (-6, -2)	<input type="checkbox"/> (-9, 12)	<input type="checkbox"/> (9, 7)	
<input type="checkbox"/> (-5, -18)	<input type="checkbox"/> (-6, -8)	<input type="checkbox"/> (-10, 11)	<input type="checkbox"/> (10, 6)	<input type="checkbox"/> (1, 16)
<input type="checkbox"/> (-7, -19)	<input type="checkbox"/> (-5, -9)	<input type="checkbox"/> (-10, 9)	<input type="checkbox"/> (10, 5)	<input type="checkbox"/> (3, 16)
<input type="checkbox"/> (-7, -20)	<input type="checkbox"/> (-3, -9)	<input type="checkbox"/> (-9, 8)	<input type="checkbox"/> (9, 4)	<input type="checkbox"/> (3, 18)
<input type="checkbox"/> (-1, -20)	<input type="checkbox"/> (-2, -8)	<input type="checkbox"/> (-7, 8)	<input type="checkbox"/> (7, 4)	<input type="checkbox"/> (1, 18)
	<input type="checkbox"/> (-2, -5)	<input type="checkbox"/> (-6, 9)	<input type="checkbox"/> (6, 5)	<input type="checkbox"/> (1, 16)
		<input type="checkbox"/> (-6, 11)	<input type="checkbox"/> (6, 6)	
<input type="checkbox"/> (3, -14)				
<input type="checkbox"/> (5, -14)	<input type="checkbox"/> (1, -4)	<input type="checkbox"/> (6, 11)	<input type="checkbox"/> (6, 1)	<input type="checkbox"/> (-1, 16)
<input type="checkbox"/> (6, -13)	<input type="checkbox"/> (4, -1)	<input type="checkbox"/> (7, 12)	<input type="checkbox"/> (6, -1)	<input type="checkbox"/> (-3, 16)
<input type="checkbox"/> (6, -12)	<input type="checkbox"/> (4, 1)	<input type="checkbox"/> (9, 12)	<input type="checkbox"/> (7, -1)	<input type="checkbox"/> (-3, 18)
<input type="checkbox"/> (5, -11)	<input type="checkbox"/> (-4, 1)	<input type="checkbox"/> (10, 11)	<input type="checkbox"/> (7, 0)	<input type="checkbox"/> (-1, 18)
<input type="checkbox"/> (3, -11)	<input type="checkbox"/> (-4, -1)	<input type="checkbox"/> (10, 9)	<input type="checkbox"/> (8, 1)	<input type="checkbox"/> (-1, 16)
<input type="checkbox"/> (2, -12)	<input type="checkbox"/> (-1, -4)	<input type="checkbox"/> (9, 8)	<input type="checkbox"/> (9, 0)	
<input type="checkbox"/> (2, -13)	<input type="checkbox"/> (1, -4)	<input type="checkbox"/> (7, 8)	<input type="checkbox"/> (9, -2)	
<input type="checkbox"/> (3, -14)		<input type="checkbox"/> (6, 9)	<input type="checkbox"/> (10, -2)	<input type="checkbox"/> (-3, 11)
		<input type="checkbox"/> (6, 11)	<input type="checkbox"/> (10, 1)	<input type="checkbox"/> (-3, 8)
<input type="checkbox"/> (-3, -14)	<input type="checkbox"/> (-3, 4)		<input type="checkbox"/> (9, 2)	<input type="checkbox"/> (3, 8)
<input type="checkbox"/> (-5, -14)	<input type="checkbox"/> (-5, 8)		<input type="checkbox"/> (7, 2)	<input type="checkbox"/> (3, 11)
<input type="checkbox"/> (-6, -13)	<input type="checkbox"/> (-5, 12)	<input type="checkbox"/> (-2, 19)	<input type="checkbox"/> (6, 1)	<input type="checkbox"/> (-3, 11)
<input type="checkbox"/> (-6, -12)	<input type="checkbox"/> (5, 12)	<input type="checkbox"/> (-2, 20)		
<input type="checkbox"/> (-5, -11)	<input type="checkbox"/> (5, 8)	<input type="checkbox"/> (2, 20)		
<input type="checkbox"/> (-3, -11)	<input type="checkbox"/> (3, 4)	<input type="checkbox"/> (2, 19)		
<input type="checkbox"/> (-2, -12)	<input type="checkbox"/> (-3, 4)		<input type="checkbox"/> (2, 15)	<input type="checkbox"/> (-2, 4)
<input type="checkbox"/> (-2, -13)			<input type="checkbox"/> (2, 14)	<input type="checkbox"/> (-2, 1)
<input type="checkbox"/> (-3, -14)		<input type="checkbox"/> (2, 4)	<input type="checkbox"/> (-2, 14)	
		<input type="checkbox"/> (2, 1)	<input type="checkbox"/> (-2, 15)	
			<input type="checkbox"/> (2, 15)	
				

Now color your picture.

Name: \_\_\_\_\_

A. I.

